

74AUP1G374

Low-power D-type flip-flop; positive-edge trigger; 3-state

Rev. 02 — 23 May 2008

Product data sheet

1. General description

The 74AUP1G374 is a high-performance, low-power, low-voltage, Si-gate CMOS device, superior to most advanced CMOS compatible TTL families.

Schmitt trigger action at all inputs makes the circuit tolerant to slower input rise and fall times across the entire V_{CC} range from 0.8 V to 3.6 V. This device ensures a very low static and dynamic power consumption across the entire V_{CC} range from 0.8 V to 3.6 V.

This device is fully specified for partial power-down applications using I_{OFF} . The I_{OFF} circuitry disables the output, preventing the damaging backflow current through the device when it is powered down.

The 74AUP1G374 provides the single D-type flip-flop with 3-state output. The flip-flop will store the state of data input (D) that meet the set-up and hold times requirements on the LOW-to-HIGH CP transition. When pin \overline{OE} is LOW, the contents of the flip-flop is available at the (Q) output. When pin \overline{OE} is HIGH, the output goes to the high-impedance OFF-state. Operation of input pin \overline{OE} does not affect the state of the flip-flop.

2. Features

- Wide supply voltage range from 0.8 V to 3.6 V
- High noise immunity
- Complies with JEDEC standards:
 - ◆ JESD8-12 (0.8 V to 1.3 V)
 - ◆ JESD8-11 (0.9 V to 1.65 V)
 - ◆ JESD8-7 (1.2 V to 1.95 V)
 - ◆ JESD8-5 (1.8 V to 2.7 V)
 - ◆ JESD8-B (2.7 V to 3.6 V)
- ESD protection:
 - ◆ HBM JESD22-A114E exceeds 5000 V
 - ◆ MM JESD22-A115-A exceeds 200 V
 - ◆ CDM JESD22-C101-C exceeds 1000 V
- Low static power consumption; $I_{CC} = 0.9 \mu\text{A}$ (maximum)
- Latch-up performance exceeds 100 mA per JESD 78 Class II
- Inputs accept voltages up to 3.6 V
- Low noise overshoot and undershoot < 10 % of V_{CC}
- I_{OFF} circuitry provides partial Power-down mode operation
- Multiple package options
- Specified from $-40\text{ }^{\circ}\text{C}$ to $+85\text{ }^{\circ}\text{C}$ and $-40\text{ }^{\circ}\text{C}$ to $+125\text{ }^{\circ}\text{C}$

3. Ordering information

Table 1. Ordering information

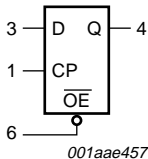
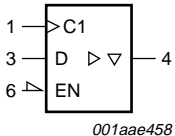
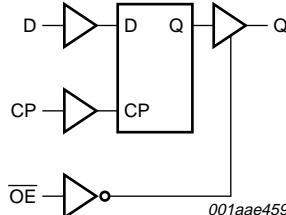
Type number	Package			Version
	Temperature range	Name	Description	
74AUP1G374GW	-40 °C to +125 °C	SC-88	plastic surface-mounted package; 6 leads	SOT363
74AUP1G374GM	-40 °C to +125 °C	XSON6	plastic extremely thin small outline package; no leads; 6 terminals; body 1 × 1.45 × 0.5 mm	SOT886
74AUP1G374GF	-40 °C to +125 °C	XSON6	plastic extremely thin small outline package; no leads; 6 terminals; body 1 × 1 × 0.5 mm	SOT891

4. Marking

Table 2. Marking

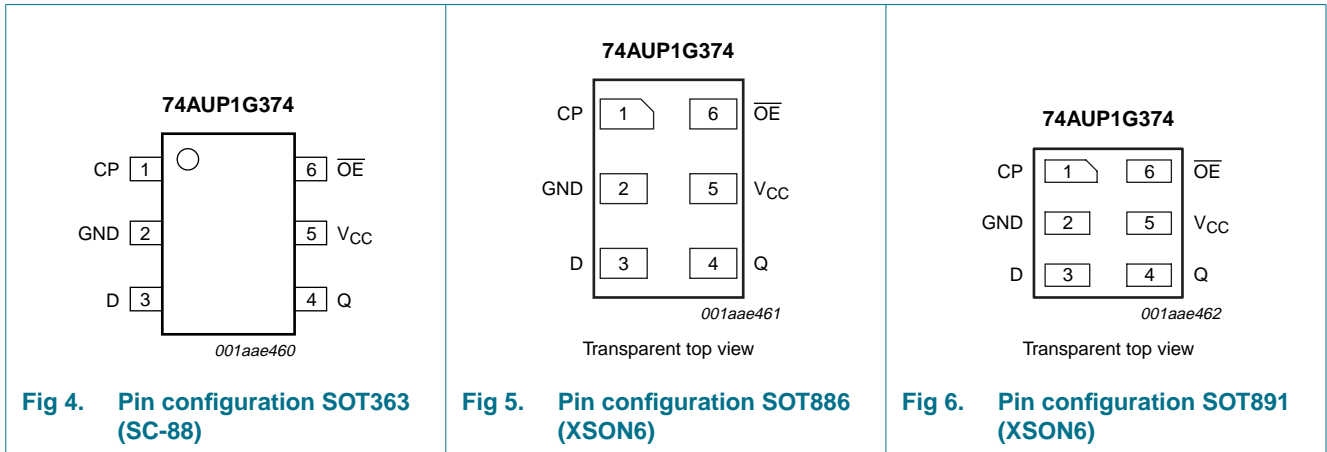
Type number	Marking code
74AUP1G374GW	aX
74AUP1G374GM	aX
74AUP1G374GF	aX

5. Functional diagram

 <p>Fig 1. Logic symbol</p>	 <p>Fig 2. IEC logic symbol</p>	 <p>Fig 3. Logic diagram</p>
---	---	--

6. Pinning information

6.1 Pinning



6.2 Pin description

Table 3. Pin description

Symbol	Pin	Description
CP	1	clock input (LOW-to-HIGH, edge-triggered)
GND	2	ground (0 V)
D	3	data input
Q	4	3-state flip-flop output
V _{CC}	5	supply voltage
\overline{OE}	6	output enable input (active LOW)

7. Functional description

Table 4. Function table^[1]

Operating mode	Input			Internal flip-flop	Output Q
	\overline{OE}	CP	D		
Load and read register	L	↑	l	L	L
	L	↑	h	H	H
Load register and disable output	H	↑	l	L	Z
	H	↑	h	H	Z

[1] H = HIGH voltage level;
 h = HIGH voltage level one set-up time prior to the HIGH-to-LOW LE transition;
 L = LOW voltage level;
 l = LOW voltage level one set-up time prior to the HIGH-to-LOW LE transition;
 Z = high-impedance OFF-state;
 ↑ = LOW-to-HIGH clock transition.

8. Limiting values

Table 5. Limiting values

In accordance with the Absolute Maximum Rating System (IEC 60134). Voltages are referenced to GND (ground = 0 V).

Symbol	Parameter	Conditions	Min	Max	Unit
V_{CC}	supply voltage		-0.5	+4.6	V
I_{IK}	input clamping current	$V_I < 0$ V	-50	-	mA
V_I	input voltage		[1] -0.5	+4.6	V
I_{OK}	output clamping current	$V_O > V_{CC}$ or $V_O < 0$ V	-	± 50	mA
V_O	output voltage	Active mode and Power-down mode	[1] -0.5	+4.6	V
I_O	output current	$V_O = 0$ V to V_{CC}	-	± 20	mA
I_{CC}	supply current		-	50	mA
I_{GND}	ground current		-50	-	mA
T_{stg}	storage temperature		-65	+150	°C
P_{tot}	total power dissipation	$T_{amb} = -40$ °C to +125 °C	[2] -	250	mW

[1] The minimum input and output voltage ratings may be exceeded if the input and output current ratings are observed.

[2] For SC-88 packages: above 87.5 °C the value of P_{tot} derates linearly with 4.0 mW/K.
For XSON6 packages: above 45 °C the value of P_{tot} derates linearly with 2.4 mW/K.

9. Recommended operating conditions

Table 6. Recommended operating conditions

Symbol	Parameter	Conditions	Min	Max	Unit
V_{CC}	supply voltage		0.8	3.6	V
V_I	input voltage		0	3.6	V
V_O	output voltage	Active mode	0	V_{CC}	V
		Power-down mode; $V_{CC} = 0$ V	0	3.6	V
T_{amb}	ambient temperature		-40	+125	°C
$\Delta t/\Delta V$	input transition rise and fall rate	$V_{CC} = 0.8$ V to 3.6 V	0	200	ns/V

10. Static characteristics

Table 7. Static characteristics

At recommended operating conditions; voltages are referenced to GND (ground = 0 V).

Symbol	Parameter	Conditions	Min	Typ	Max	Unit
T_{amb} = 25 °C						
V _{IH}	HIGH-level input voltage	V _{CC} = 0.8 V	0.70 × V _{CC}	-	-	V
		V _{CC} = 0.9 V to 1.95 V	0.65 × V _{CC}	-	-	V
		V _{CC} = 2.3 V to 2.7 V	1.6	-	-	V
		V _{CC} = 3.0 V to 3.6 V	2.0	-	-	V
V _{IL}	LOW-level input voltage	V _{CC} = 0.8 V	-	-	0.30 × V _{CC}	V
		V _{CC} = 0.9 V to 1.95 V	-	-	0.35 × V _{CC}	V
		V _{CC} = 2.3 V to 2.7 V	-	-	0.7	V
		V _{CC} = 3.0 V to 3.6 V	-	-	0.9	V
V _{OH}	HIGH-level output voltage	V _I = V _{IH} or V _{IL}				
		I _O = -20 μA; V _{CC} = 0.8 V to 3.6 V	V _{CC} - 0.1	-	-	V
		I _O = -1.1 mA; V _{CC} = 1.1 V	0.75 × V _{CC}	-	-	V
		I _O = -1.7 mA; V _{CC} = 1.4 V	1.11	-	-	V
		I _O = -1.9 mA; V _{CC} = 1.65 V	1.32	-	-	V
		I _O = -2.3 mA; V _{CC} = 2.3 V	2.05	-	-	V
		I _O = -3.1 mA; V _{CC} = 2.3 V	1.9	-	-	V
		I _O = -2.7 mA; V _{CC} = 3.0 V	2.72	-	-	V
		I _O = -4.0 mA; V _{CC} = 3.0 V	2.6	-	-	V
V _{OL}	LOW-level output voltage	V _I = V _{IH} or V _{IL}				
		I _O = 20 μA; V _{CC} = 0.8 V to 3.6 V	-	-	0.1	V
		I _O = 1.1 mA; V _{CC} = 1.1 V	-	-	0.3 × V _{CC}	V
		I _O = 1.7 mA; V _{CC} = 1.4 V	-	-	0.31	V
		I _O = 1.9 mA; V _{CC} = 1.65 V	-	-	0.31	V
		I _O = 2.3 mA; V _{CC} = 2.3 V	-	-	0.31	V
		I _O = 3.1 mA; V _{CC} = 2.3 V	-	-	0.44	V
		I _O = 2.7 mA; V _{CC} = 3.0 V	-	-	0.31	V
		I _O = 4.0 mA; V _{CC} = 3.0 V	-	-	0.44	V
I _I	input leakage current	V _I = GND to 3.6 V; V _{CC} = 0 V to 3.6 V	-	-	±0.1	μA
I _{OZ}	OFF-state output current	V _I = V _{IH} or V _{IL} ; V _O = 0 V to 3.6 V; V _{CC} = 0 V to 3.6 V	-	-	±0.1	μA
I _{OFF}	power-off leakage current	V _I or V _O = 0 V to 3.6 V; V _{CC} = 0 V	-	-	±0.2	μA
ΔI _{OFF}	additional power-off leakage current	V _I or V _O = 0 V to 3.6 V; V _{CC} = 0 V to 0.2 V	-	-	±0.2	μA
I _{CC}	supply current	V _I = GND or V _{CC} ; I _O = 0 A; V _{CC} = 0.8 V to 3.6 V	-	-	0.5	μA
ΔI _{CC}	additional supply current	V _I = V _{CC} - 0.6 V; I _O = 0 A; V _{CC} = 3.3 V	[1]	-	40	μA
C _I	input capacitance	V _{CC} = 0 V to 3.6 V; V _I = GND or V _{CC}	-	0.8	-	pF

Table 7. Static characteristics ...continued

At recommended operating conditions; voltages are referenced to GND (ground = 0 V).

Symbol	Parameter	Conditions	Min	Typ	Max	Unit
C _O	output capacitance	output enabled; V _O = GND; V _{CC} = 0 V	-	1.7	-	pF
		output disabled; V _{CC} = 0 V to 3.6 V; V _O = GND or V _{CC}	-	1.5	-	pF
T_{amb} = -40 °C to +85 °C						
V _{IH}	HIGH-level input voltage	V _{CC} = 0.8 V	0.70 × V _{CC}	-	-	V
		V _{CC} = 0.9 V to 1.95 V	0.65 × V _{CC}	-	-	V
		V _{CC} = 2.3 V to 2.7 V	1.6	-	-	V
		V _{CC} = 3.0 V to 3.6 V	2.0	-	-	V
V _{IL}	LOW-level input voltage	V _{CC} = 0.8 V	-	-	0.30 × V _{CC}	V
		V _{CC} = 0.9 V to 1.95 V	-	-	0.35 × V _{CC}	V
		V _{CC} = 2.3 V to 2.7 V	-	-	0.7	V
		V _{CC} = 3.0 V to 3.6 V	-	-	0.9	V
V _{OH}	HIGH-level output voltage	V _I = V _{IH} or V _{IL}				
		I _O = -20 μA; V _{CC} = 0.8 V to 3.6 V	V _{CC} - 0.1	-	-	V
		I _O = -1.1 mA; V _{CC} = 1.1 V	0.7 × V _{CC}	-	-	V
		I _O = -1.7 mA; V _{CC} = 1.4 V	1.03	-	-	V
		I _O = -1.9 mA; V _{CC} = 1.65 V	1.30	-	-	V
		I _O = -2.3 mA; V _{CC} = 2.3 V	1.97	-	-	V
		I _O = -3.1 mA; V _{CC} = 2.3 V	1.85	-	-	V
		I _O = -2.7 mA; V _{CC} = 3.0 V	2.67	-	-	V
V _{OL}	LOW-level output voltage	V _I = V _{IH} or V _{IL}				
		I _O = 20 μA; V _{CC} = 0.8 V to 3.6 V	-	-	0.1	V
		I _O = 1.1 mA; V _{CC} = 1.1 V	-	-	0.3 × V _{CC}	V
		I _O = 1.7 mA; V _{CC} = 1.4 V	-	-	0.37	V
		I _O = 1.9 mA; V _{CC} = 1.65 V	-	-	0.35	V
		I _O = 2.3 mA; V _{CC} = 2.3 V	-	-	0.33	V
		I _O = 3.1 mA; V _{CC} = 2.3 V	-	-	0.45	V
		I _O = 2.7 mA; V _{CC} = 3.0 V	-	-	0.33	V
I _I	input leakage current	V _I = GND to 3.6 V; V _{CC} = 0 V to 3.6 V	-	-	±0.5	μA
		V _I = V _{IH} or V _{IL} ; V _O = 0 V to 3.6 V; V _{CC} = 0 V to 3.6 V	-	-	±0.5	μA
I _{OFF}	power-off leakage current	V _I or V _O = 0 V to 3.6 V; V _{CC} = 0 V	-	-	±0.5	μA
ΔI _{OFF}	additional power-off leakage current	V _I or V _O = 0 V to 3.6 V; V _{CC} = 0 V to 0.2 V	-	-	±0.6	μA
I _{CC}	supply current	V _I = GND or V _{CC} ; I _O = 0 A; V _{CC} = 0.8 V to 3.6 V	-	-	0.9	μA
ΔI _{CC}	additional supply current	V _I = V _{CC} - 0.6 V; I _O = 0 A; V _{CC} = 3.3 V	1	-	50	μA

Table 7. Static characteristics ...continued

At recommended operating conditions; voltages are referenced to GND (ground = 0 V).

Symbol	Parameter	Conditions	Min	Typ	Max	Unit
T_{amb} = -40 °C to +125 °C						
V _{IH}	HIGH-level input voltage	V _{CC} = 0.8 V	0.75 × V _{CC}	-	-	V
		V _{CC} = 0.9 V to 1.95 V	0.70 × V _{CC}	-	-	V
		V _{CC} = 2.3 V to 2.7 V	1.6	-	-	V
		V _{CC} = 3.0 V to 3.6 V	2.0	-	-	V
V _{IL}	LOW-level input voltage	V _{CC} = 0.8 V	-	-	0.25 × V _{CC}	V
		V _{CC} = 0.9 V to 1.95 V	-	-	0.30 × V _{CC}	V
		V _{CC} = 2.3 V to 2.7 V	-	-	0.7	V
		V _{CC} = 3.0 V to 3.6 V	-	-	0.9	V
V _{OH}	HIGH-level output voltage	V _I = V _{IH} or V _{IL}				
		I _O = -20 μA; V _{CC} = 0.8 V to 3.6 V	V _{CC} - 0.11	-	-	V
		I _O = -1.1 mA; V _{CC} = 1.1 V	0.6 × V _{CC}	-	-	V
		I _O = -1.7 mA; V _{CC} = 1.4 V	0.93	-	-	V
		I _O = -1.9 mA; V _{CC} = 1.65 V	1.17	-	-	V
		I _O = -2.3 mA; V _{CC} = 2.3 V	1.77	-	-	V
		I _O = -3.1 mA; V _{CC} = 2.3 V	1.67	-	-	V
		I _O = -2.7 mA; V _{CC} = 3.0 V	2.40	-	-	V
		I _O = -4.0 mA; V _{CC} = 3.0 V	2.30	-	-	V
V _{OL}	LOW-level output voltage	V _I = V _{IH} or V _{IL}				
		I _O = 20 μA; V _{CC} = 0.8 V to 3.6 V	-	-	0.11	V
		I _O = 1.1 mA; V _{CC} = 1.1 V	-	-	0.33 × V _{CC}	V
		I _O = 1.7 mA; V _{CC} = 1.4 V	-	-	0.41	V
		I _O = 1.9 mA; V _{CC} = 1.65 V	-	-	0.39	V
		I _O = 2.3 mA; V _{CC} = 2.3 V	-	-	0.36	V
		I _O = 3.1 mA; V _{CC} = 2.3 V	-	-	0.50	V
		I _O = 2.7 mA; V _{CC} = 3.0 V	-	-	0.36	V
I _O = 4.0 mA; V _{CC} = 3.0 V	-	-	0.50	V		
I _I	input leakage current	V _I = GND to 3.6 V; V _{CC} = 0 V to 3.6 V	-	-	±0.75	μA
I _{OZ}	OFF-state output current	V _I = V _{IH} or V _{IL} ; V _O = 0 V to 3.6 V; V _{CC} = 0 V to 3.6 V	-	-	±0.75	μA
I _{OFF}	power-off leakage current	V _I or V _O = 0 V to 3.6 V; V _{CC} = 0 V	-	-	±0.75	μA
ΔI _{OFF}	additional power-off leakage current	V _I or V _O = 0 V to 3.6 V; V _{CC} = 0 V to 0.2 V	-	-	±0.75	μA
I _{CC}	supply current	V _I = GND or V _{CC} ; I _O = 0 A; V _{CC} = 0.8 V to 3.6 V	-	-	1.4	μA
ΔI _{CC}	additional supply current	V _I = V _{CC} - 0.6 V; I _O = 0 A; V _{CC} = 3.3 V	[1]	-	75	μA

[1] One input at V_{CC} - 0.6 V, other input at V_{CC} or GND.

11. Dynamic characteristics

Table 8. Dynamic characteristics

Voltages are referenced to GND (ground = 0 V); for test circuit see [Figure 9](#).

Symbol	Parameter	Conditions	25 °C			-40 °C to +125 °C				Unit
			Min	Typ ^[1]	Max	Min (85 °C)	Max (85 °C)	Min (125 °C)	Max (125 °C)	
C_L = 5 pF										
t _{pd}	propagation delay	CP to Q; see Figure 7 ^[2]	-	23.6	-	-	-	-	-	ns
		V _{CC} = 0.8 V	-	23.6	-	-	-	-	-	ns
		V _{CC} = 1.1 V to 1.3 V	2.4	6.3	13.1	2.3	13.3	2.3	13.4	ns
		V _{CC} = 1.4 V to 1.6 V	2.1	4.3	7.4	1.8	8.0	1.8	8.2	ns
		V _{CC} = 1.65 V to 1.95 V	1.6	3.4	5.8	1.4	6.4	1.4	6.7	ns
		V _{CC} = 2.3 V to 2.7 V	1.4	2.5	3.8	1.1	4.3	1.1	4.5	ns
t _{en}	enable time	OE to Q; see Figure 8 ^[3]	-	21.7	-	-	-	-	-	ns
		V _{CC} = 0.8 V	-	21.7	-	-	-	-	-	ns
		V _{CC} = 1.1 V to 1.3 V	3.3	5.2	8.1	3.0	9.1	3.0	10.0	ns
		V _{CC} = 1.4 V to 1.6 V	2.6	4.1	5.6	2.4	6.1	2.4	6.7	ns
		V _{CC} = 1.65 V to 1.95 V	2.3	3.4	4.6	2.0	5.1	2.0	5.6	ns
		V _{CC} = 2.3 V to 2.7 V	2.0	2.8	3.7	1.8	4.0	1.8	4.4	ns
t _{dis}	disable time	OE to Q; see Figure 8 ^[4]	-	9.8	-	-	-	-	-	ns
		V _{CC} = 0.8 V	-	9.8	-	-	-	-	-	ns
		V _{CC} = 1.1 V to 1.3 V	2.9	4.5	7.0	2.8	7.2	2.8	7.9	ns
		V _{CC} = 1.4 V to 1.6 V	2.3	3.3	4.9	2.1	5.1	2.1	5.6	ns
		V _{CC} = 1.65 V to 1.95 V	2.2	3.2	4.5	2.1	4.7	2.1	5.2	ns
		V _{CC} = 2.3 V to 2.7 V	1.6	2.3	3.1	1.5	3.4	1.5	3.7	ns
f _{max}	maximum frequency	CP; see Figure 7	-	53	-	-	-	-	-	MHz
		V _{CC} = 0.8 V	-	53	-	-	-	-	-	MHz
		V _{CC} = 1.1 V to 1.3 V	-	203	-	170	-	170	-	MHz
		V _{CC} = 1.4 V to 1.6 V	-	347	-	310	-	300	-	MHz
		V _{CC} = 1.65 V to 1.95 V	-	435	-	400	-	390	-	MHz
		V _{CC} = 2.3 V to 2.7 V	-	550	-	490	-	480	-	MHz
		V _{CC} = 3.0 V to 3.6 V	-	619	-	550	-	510	-	MHz

Table 8. Dynamic characteristics ...continued
 Voltages are referenced to GND (ground = 0 V); for test circuit see [Figure 9](#).

Symbol	Parameter	Conditions	25 °C			-40 °C to +125 °C				Unit
			Min	Typ ^[1]	Max	Min (85 °C)	Max (85 °C)	Min (125 °C)	Max (125 °C)	
C_L = 10 pF										
t _{pd}	propagation delay	CP to Q; see Figure 7 ^[2]								
		V _{CC} = 0.8 V	-	27.1	-	-	-	-	-	ns
		V _{CC} = 1.1 V to 1.3 V	2.7	7.2	14.7	2.5	15.0	2.5	15.1	ns
		V _{CC} = 1.4 V to 1.6 V	2.3	4.9	8.6	2.0	9.1	2.0	9.4	ns
		V _{CC} = 1.65 V to 1.95 V	2.1	4.0	6.5	1.9	7.0	1.9	7.3	ns
		V _{CC} = 2.3 V to 2.7 V	1.8	3.1	4.4	1.5	4.9	1.5	5.1	ns
t _{en}	enable time	$\overline{\text{OE}}$ to Q; see Figure 8 ^[3]								
		V _{CC} = 0.8 V	-	25.1	-	-	-	-	-	ns
		V _{CC} = 1.1 V to 1.3 V	3.8	6.5	10.2	3.5	10.6	3.5	11.7	ns
		V _{CC} = 1.4 V to 1.6 V	3.1	4.7	6.5	2.7	7.1	2.7	7.8	ns
		V _{CC} = 1.65 V to 1.95 V	2.7	4.0	5.4	2.5	6.0	2.5	6.6	ns
		V _{CC} = 2.3 V to 2.7 V	2.4	3.4	4.5	2.2	4.7	2.2	5.2	ns
t _{dis}	disable time	$\overline{\text{OE}}$ to Q; see Figure 8 ^[4]								
		V _{CC} = 0.8 V	-	11.7	-	-	-	-	-	ns
		V _{CC} = 1.1 V to 1.3 V	3.9	5.6	8.3	3.9	8.4	3.9	9.2	ns
		V _{CC} = 1.4 V to 1.6 V	3.1	4.2	5.8	3.0	6.1	3.0	6.7	ns
		V _{CC} = 1.65 V to 1.95 V	3.2	4.3	5.7	3.1	5.9	3.1	6.5	ns
		V _{CC} = 2.3 V to 2.7 V	2.3	3.1	4.0	2.2	4.2	2.2	4.6	ns
f _{max}	maximum frequency	CP; see Figure 7								
		V _{CC} = 0.8 V	-	52	-	-	-	-	-	MHz
		V _{CC} = 1.1 V to 1.3 V	-	192	-	150	-	150	-	MHz
		V _{CC} = 1.4 V to 1.6 V	-	324	-	280	-	230	-	MHz
		V _{CC} = 1.65 V to 1.95 V	-	421	-	310	-	250	-	MHz
		V _{CC} = 2.3 V to 2.7 V	-	486	-	370	-	360	-	MHz
f _{max}	maximum frequency	V _{CC} = 3.0 V to 3.6 V	-	550	-	410	-	360	-	MHz

C_L = 15 pF

t _{pd}	propagation delay	CP to Q; see Figure 7 ^[2]								
		V _{CC} = 0.8 V	-	30.6	-	-	-	-	-	ns
		V _{CC} = 1.1 V to 1.3 V	3.0	8.0	16.2	2.8	16.5	2.8	16.6	ns
		V _{CC} = 1.4 V to 1.6 V	2.8	5.5	9.3	2.4	10.1	2.4	10.4	ns
		V _{CC} = 1.65 V to 1.95 V	2.3	4.5	7.2	2.1	7.9	2.1	8.2	ns
		V _{CC} = 2.3 V to 2.7 V	2.1	3.5	5.0	1.9	5.5	1.9	5.7	ns
f _{max}	maximum frequency	V _{CC} = 3.0 V to 3.6 V	2.0	3.1	4.3	1.7	4.7	1.7	5.0	ns

Table 8. Dynamic characteristics ...continued
 Voltages are referenced to GND (ground = 0 V); for test circuit see [Figure 9](#).

Symbol	Parameter	Conditions	25 °C			-40 °C to +125 °C				Unit
			Min	Typ ^[1]	Max	Min (85 °C)	Max (85 °C)	Min (125 °C)	Max (125 °C)	
t _{en}	enable time	\overline{OE} to Q; see Figure 8 ^[3]								
		V _{CC} = 0.8 V	-	28.6	-	-	-	-	-	ns
		V _{CC} = 1.1 V to 1.3 V	4.3	7.4	11.6	3.9	12.1	3.9	13.3	ns
		V _{CC} = 1.4 V to 1.6 V	3.5	5.3	7.2	3.1	8.0	3.1	8.8	ns
		V _{CC} = 1.65 V to 1.95 V	3.1	4.5	6.1	2.8	6.7	2.8	7.4	ns
		V _{CC} = 2.3 V to 2.7 V	2.7	3.8	5.0	2.5	5.4	2.5	5.9	ns
t _{dis}	disable time	\overline{OE} to Q; see Figure 8 ^[4]								
		V _{CC} = 0.8 V	-	13.5	-	-	-	-	-	ns
		V _{CC} = 1.1 V to 1.3 V	5.0	6.8	9.5	4.9	9.6	4.9	10.6	ns
		V _{CC} = 1.4 V to 1.6 V	3.9	5.1	6.8	3.8	7.0	3.8	7.7	ns
		V _{CC} = 1.65 V to 1.95 V	4.3	5.4	7.0	4.1	7.2	4.1	7.9	ns
		V _{CC} = 2.3 V to 2.7 V	3.0	3.9	4.9	2.9	5.1	2.9	5.6	ns
f _{max}	maximum frequency	CP; see Figure 7								
		V _{CC} = 0.8 V	-	50	-	-	-	-	-	MHz
		V _{CC} = 1.1 V to 1.3 V	-	181	-	120	-	120	-	MHz
		V _{CC} = 1.4 V to 1.6 V	-	301	-	190	-	160	-	MHz
		V _{CC} = 1.65 V to 1.95 V	-	407	-	240	-	190	-	MHz
		V _{CC} = 2.3 V to 2.7 V	-	422	-	300	-	270	-	MHz
C _L = 30 pF	propagation delay	CP to Q; see Figure 7 ^[2]								
		V _{CC} = 0.8 V	-	40.8	-	-	-	-	-	ns
		V _{CC} = 1.1 V to 1.3 V	3.7	10.3	20.5	3.5	21.2	3.5	21.6	ns
		V _{CC} = 1.4 V to 1.6 V	3.3	7.0	11.6	3.2	12.6	3.2	13.3	ns
		V _{CC} = 1.65 V to 1.95 V	3.2	5.8	9.1	2.9	9.8	2.9	10.4	ns
		V _{CC} = 2.3 V to 2.7 V	3.0	4.7	6.5	2.6	7.0	2.6	7.4	ns
t _{en}	enable time	\overline{OE} to Q; see Figure 8 ^[3]								
		V _{CC} = 0.8 V	-	39.0	-	-	-	-	-	ns
		V _{CC} = 1.1 V to 1.3 V	5.6	9.8	15.7	5.0	16.5	5.0	18.2	ns
		V _{CC} = 1.4 V to 1.6 V	4.6	7.0	9.5	4.1	10.6	4.1	11.7	ns
		V _{CC} = 1.65 V to 1.95 V	4.1	5.9	7.9	3.7	8.6	3.7	9.5	ns
		V _{CC} = 2.3 V to 2.7 V	3.7	5.0	6.6	3.3	7.1	3.3	7.8	ns
t _{en}	enable time	\overline{OE} to Q; see Figure 8 ^[3]								
		V _{CC} = 0.8 V	-	39.0	-	-	-	-	-	ns
		V _{CC} = 1.1 V to 1.3 V	5.6	9.8	15.7	5.0	16.5	5.0	18.2	ns
		V _{CC} = 1.4 V to 1.6 V	4.6	7.0	9.5	4.1	10.6	4.1	11.7	ns
		V _{CC} = 1.65 V to 1.95 V	4.1	5.9	7.9	3.7	8.6	3.7	9.5	ns
		V _{CC} = 2.3 V to 2.7 V	3.7	5.0	6.6	3.3	7.1	3.3	7.8	ns

Table 8. Dynamic characteristics ...continued
 Voltages are referenced to GND (ground = 0 V); for test circuit see [Figure 9](#).

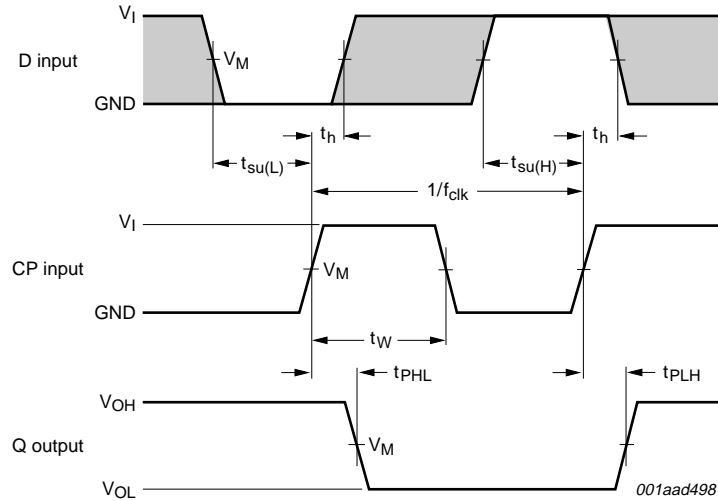
Symbol	Parameter	Conditions	25 °C			-40 °C to +125 °C				Unit
			Min	Typ ^[1]	Max	Min (85 °C)	Max (85 °C)	Min (125 °C)	Max (125 °C)	
t _{dis}	disable time	OE to Q; see Figure 8 ^[4]								
		V _{CC} = 0.8 V	-	19.0	-	-	-	-	-	ns
		V _{CC} = 1.1 V to 1.3 V	8.1	10.2	13.3	8.0	13.5	8.0	14.9	ns
		V _{CC} = 1.4 V to 1.6 V	6.4	7.8	9.7	6.3	10.0	6.3	11.0	ns
		V _{CC} = 1.65 V to 1.95 V	7.4	8.8	10.7	7.2	10.9	7.2	12.0	ns
		V _{CC} = 2.3 V to 2.7 V	5.2	6.3	7.5	5.1	7.8	5.1	8.6	ns
		V _{CC} = 3.0 V to 3.6 V	7.5	8.8	10.3	7.4	10.5	7.4	11.6	ns
f _{max}	maximum frequency	CP; see Figure 7								
		V _{CC} = 0.8 V	-	28	-	-	-	-	-	MHz
		V _{CC} = 1.1 V to 1.3 V	-	128	-	70	-	70	-	MHz
		V _{CC} = 1.4 V to 1.6 V	-	206	-	120	-	110	-	MHz
		V _{CC} = 1.65 V to 1.95 V	-	262	-	150	-	120	-	MHz
		V _{CC} = 2.3 V to 2.7 V	-	269	-	190	-	170	-	MHz
		V _{CC} = 3.0 V to 3.6 V	-	309	-	200	-	190	-	MHz
C_L = 5 pF, 10 pF, 15 pF and 30 pF										
t _w	pulse width	CP; HIGH or LOW; see Figure 7								
		V _{CC} = 0.8 V	-	5.1	-	-	-	-	-	ns
		V _{CC} = 1.1 V to 1.3 V	-	1.5	-	3.2	-	3.5	-	ns
		V _{CC} = 1.4 V to 1.6 V	-	0.9	-	1.5	-	1.7	-	ns
		V _{CC} = 1.65 V to 1.95 V	-	0.7	-	1.0	-	1.1	-	ns
		V _{CC} = 2.3 V to 2.7 V	-	0.5	-	0.8	-	0.8	-	ns
		V _{CC} = 3.0 V to 3.6 V	-	0.5	-	0.7	-	0.8	-	ns
t _{su(H)}	set-up time HIGH	D to CP; see Figure 7								
		V _{CC} = 0.8 V	-	2.1	-	-	-	-	-	ns
		V _{CC} = 1.1 V to 1.3 V	-	0.5	-	1.4	-	1.4	-	ns
		V _{CC} = 1.4 V to 1.6 V	-	0.3	-	1.0	-	1.0	-	ns
		V _{CC} = 1.65 V to 1.95 V	-	0.3	-	0.9	-	0.9	-	ns
		V _{CC} = 2.3 V to 2.7 V	-	0.3	-	0.7	-	0.7	-	ns
		V _{CC} = 3.0 V to 3.6 V	-	0.2	-	0.6	-	0.6	-	ns
t _{su(L)}	set-up time LOW	D to CP; see Figure 7								
		V _{CC} = 0.8 V	-	3.5	-	-	-	-	-	ns
		V _{CC} = 1.1 V to 1.3 V	-	0.8	-	1.8	-	1.8	-	ns
		V _{CC} = 1.4 V to 1.6 V	-	0.6	-	1.2	-	1.2	-	ns
		V _{CC} = 1.65 V to 1.95 V	-	0.5	-	1.1	-	1.1	-	ns
		V _{CC} = 2.3 V to 2.7 V	-	0.4	-	1.0	-	1.0	-	ns
		V _{CC} = 3.0 V to 3.6 V	-	0.5	-	1.0	-	1.0	-	ns

Table 8. Dynamic characteristics ...continued
 Voltages are referenced to GND (ground = 0 V); for test circuit see [Figure 9](#).

Symbol	Parameter	Conditions	25 °C			-40 °C to +125 °C				Unit
			Min	Typ ^[1]	Max	Min (85 °C)	Max (85 °C)	Min (125 °C)	Max (125 °C)	
t _h	hold time	D to CP; see Figure 7								
		V _{CC} = 0.8 V	-	-2.8	-	-	-	-	-	ns
		V _{CC} = 1.1 V to 1.3 V	-	-0.7	-	0	-	0	-	ns
		V _{CC} = 1.4 V to 1.6 V	-	-0.4	-	0	-	0	-	ns
		V _{CC} = 1.65 V to 1.95 V	-	-0.4	-	0	-	0	-	ns
		V _{CC} = 2.3 V to 2.7 V	-	-0.3	-	0	-	0	-	ns
		V _{CC} = 3.0 V to 3.6 V	-	-0.4	-	0	-	0	-	ns
C _{PD}	power dissipation capacitance	V _I = GND to V _{CC} ; [5] f _i = 1 MHz; output enabled								
		V _{CC} = 0.8 V	-	1.7	-	-	-	-	-	pF
		V _{CC} = 1.1 V to 1.3 V	-	1.8	-	-	-	-	-	pF
		V _{CC} = 1.4 V to 1.6 V	-	1.8	-	-	-	-	-	pF
		V _{CC} = 1.65 V to 1.95 V	-	2.0	-	-	-	-	-	pF
		V _{CC} = 2.3 V to 2.7 V	-	2.3	-	-	-	-	-	pF
		V _{CC} = 3.0 V to 3.6 V	-	2.8	-	-	-	-	-	pF

- [1] All typical values are measured at nominal V_{CC}.
- [2] t_{pd} is the same as t_{PLH} and t_{PHL}.
- [3] t_{en} is the same as t_{PZH} and t_{PZL}.
- [4] t_{dis} is the same as t_{PHZ} and t_{PLZ}.
- [5] C_{PD} is used to determine the dynamic power dissipation (P_D in μW).
 $P_D = C_{PD} \times V_{CC}^2 \times f_i \times N + \Sigma(C_L \times V_{CC}^2 \times f_o)$ where:
 f_i = input frequency in MHz;
 f_o = output frequency in MHz;
 C_L = output load capacitance in pF;
 V_{CC} = supply voltage in V;
 Σ(C_L × V_{CC}² × f_o) = sum of the outputs;
 N = number of inputs switching.

12. Waveforms

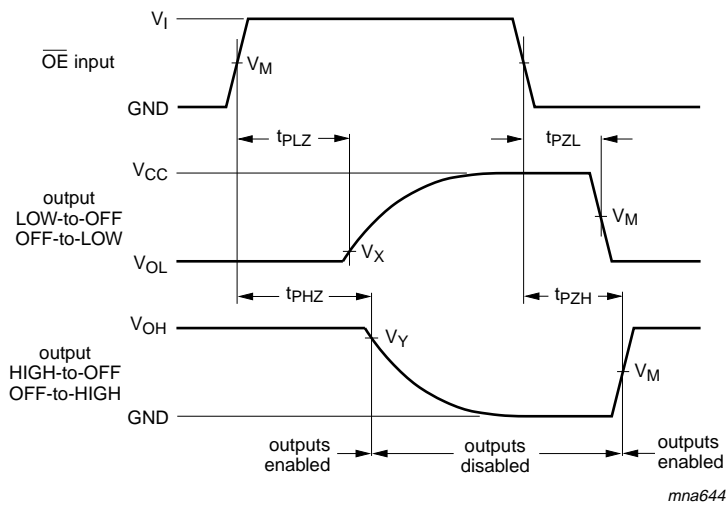


Measurement points are given in [Table 9](#).
 The shaded areas indicate when the input is permitted to change for predictable output performance.
 Logic levels: V_{OL} and V_{OH} are typical output voltage drop that occur with the output load.

Fig 7. The clock input (CP) to output (Q) propagation delays, clock input (CP) pulse width, data input (D) to clock input (CP) set-up times, clock input (CP) to data input (D) hold times and the maximum frequency (CP)

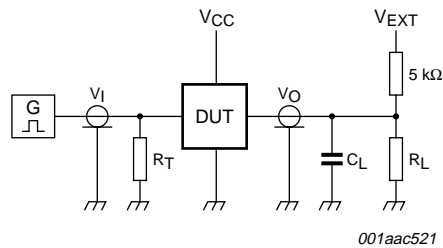
Table 9. Measurement points

Supply voltage	Input			Output		
V_{CC}	V_M	V_I	$t_r = t_f$	V_M	V_X	V_Y
0.8 V to 1.6 V	$0.5 \times V_{CC}$	V_{CC}	≤ 3.0 ns	$0.5 \times V_{CC}$	$V_{OL} + 0.1$ V	$V_{OH} - 0.1$ V
1.65 V to 2.7 V	$0.5 \times V_{CC}$	V_{CC}	≤ 3.0 ns	$0.5 \times V_{CC}$	$V_{OL} + 0.15$ V	$V_{OH} - 0.15$ V
3.0 V to 3.6 V	$0.5 \times V_{CC}$	V_{CC}	≤ 3.0 ns	$0.5 \times V_{CC}$	$V_{OL} + 0.3$ V	$V_{OH} - 0.3$ V



Measurement points are given in [Table 9](#).
 Logic levels: V_{OL} and V_{OH} are typical output voltage drop that occur with the output load.

Fig 8. Enable and disable times



Test data is given in [Table 10](#).
 Definitions for test circuit:
 R_L = Load resistance.
 C_L = Load capacitance including jig and probe capacitance.
 R_T = Termination resistance should be equal to the output impedance Z_o of the pulse generator.
 V_{EXT} = External voltage for measuring switching times.

Fig 9. Load circuitry for switching times

Table 10. Test data

Supply voltage	Load		V_{EXT}			
V_{CC}	C_L	R_L [1]	t_{PLH}, t_{PHL}	t_{PZH}, t_{PHZ}	t_{PZL}, t_{PLZ}	
0.8 V to 3.6 V	5 pF, 10 pF, 15 pF and 30 pF	5 kΩ or 1 MΩ	open	GND	$2 \times V_{CC}$	

[1] For measuring enable and disable times $R_L = 5 \text{ k}\Omega$, for measuring propagation delays, set-up and hold times and pulse width $R_L = 1 \text{ M}\Omega$.

13. Package outline

Plastic surface-mounted package; 6 leads

SOT363

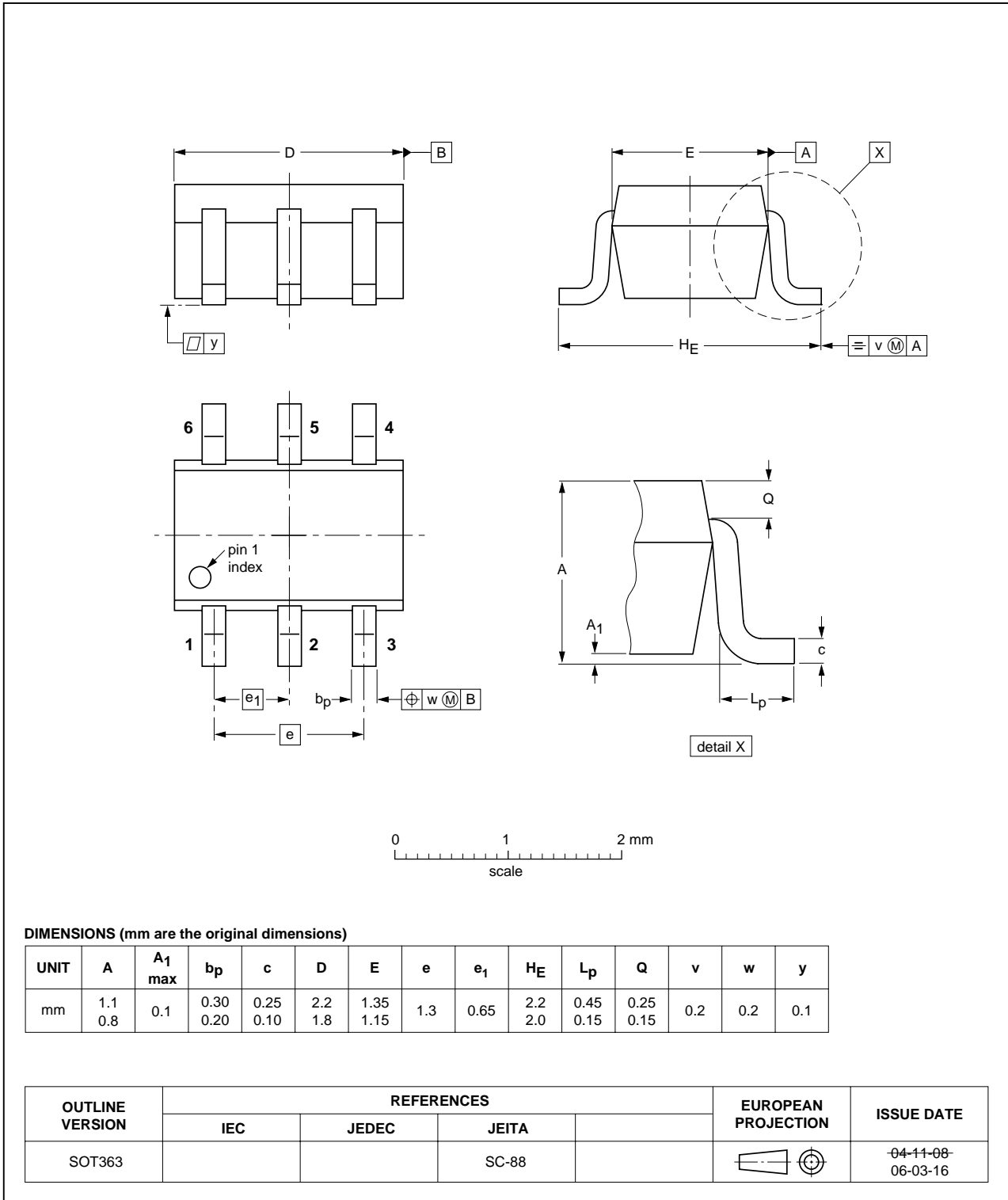


Fig 10. Package outline SOT363 (SC-88)

XSON6: plastic extremely thin small outline package; no leads; 6 terminals; body 1 x 1.45 x 0.5 mm

SOT886

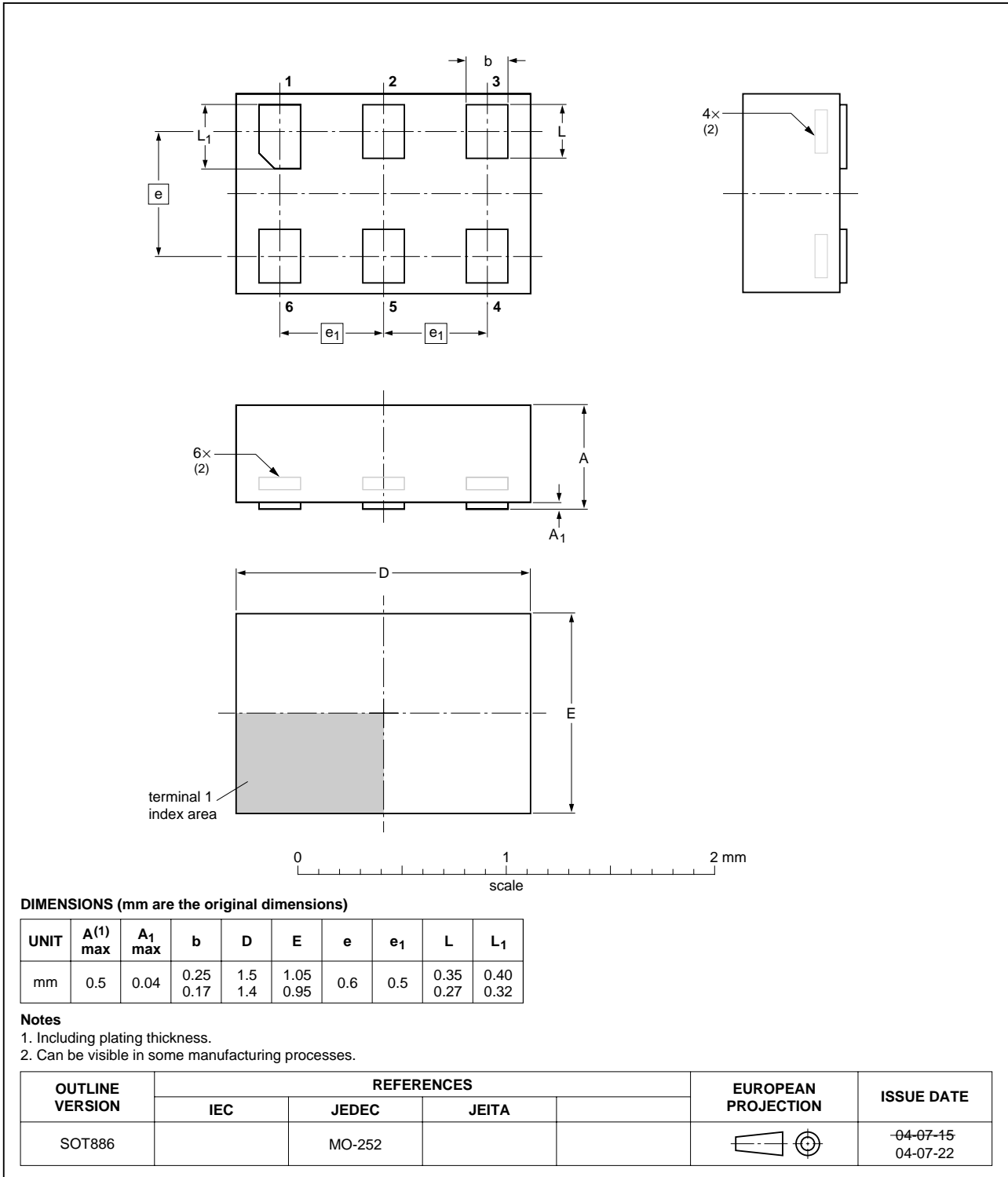


Fig 11. Package outline SOT886 (XSON6)

XSON6: plastic extremely thin small outline package; no leads; 6 terminals; body 1 x 1 x 0.5 mm

SOT891

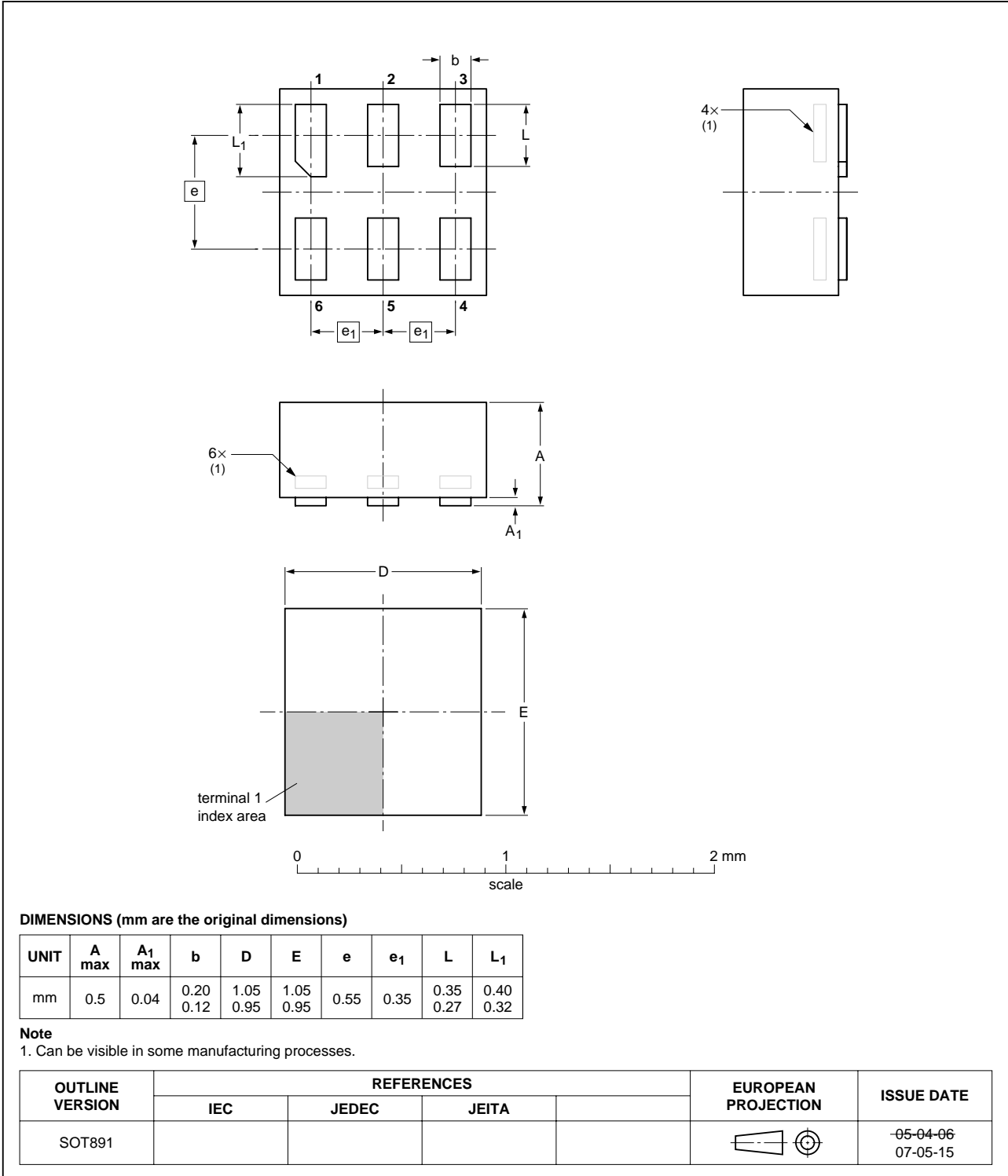


Fig 12. Package outline SOT891 (XSON6)

14. Abbreviations

Table 11. Abbreviations

Acronym	Description
CDM	Charged Device Model
CMOS	Complementary Metal-Oxide Semiconductor
DUT	Device Under Test
ESD	ElectroStatic Discharge
HBM	Human Body Model
MM	Machine Model
TTL	Transistor-Transistor Logic

15. Revision history

Table 12. Revision history

Document ID	Release date	Data sheet status	Change notice	Supersedes
74AUP1G374_2	20080523	Product data sheet	-	74AUP1G374_1
Modifications:	<ul style="list-style-type: none"> • Section 10 "Static characteristics": Changed: input capacitance. • Section 11 "Dynamic characteristics": Changed: enable times, disable times and typical power dissipation capacitance. • Table 9 and Table 10 of the previous version are merged into Table 9. 			
74AUP1G374_1	20061114	Product data sheet	-	-

16. Legal information

16.1 Data sheet status

Document status ^{[1][2]}	Product status ^[3]	Definition
Objective [short] data sheet	Development	This document contains data from the objective specification for product development.
Preliminary [short] data sheet	Qualification	This document contains data from the preliminary specification.
Product [short] data sheet	Production	This document contains the product specification.

[1] Please consult the most recently issued document before initiating or completing a design.

[2] The term 'short data sheet' is explained in section "Definitions".

[3] The product status of device(s) described in this document may have changed since this document was published and may differ in case of multiple devices. The latest product status information is available on the Internet at URL <http://www.nxp.com>.

16.2 Definitions

Draft — The document is a draft version only. The content is still under internal review and subject to formal approval, which may result in modifications or additions. NXP Semiconductors does not give any representations or warranties as to the accuracy or completeness of information included herein and shall have no liability for the consequences of use of such information.

Short data sheet — A short data sheet is an extract from a full data sheet with the same product type number(s) and title. A short data sheet is intended for quick reference only and should not be relied upon to contain detailed and full information. For detailed and full information see the relevant full data sheet, which is available on request via the local NXP Semiconductors sales office. In case of any inconsistency or conflict with the short data sheet, the full data sheet shall prevail.

16.3 Disclaimers

General — Information in this document is believed to be accurate and reliable. However, NXP Semiconductors does not give any representations or warranties, expressed or implied, as to the accuracy or completeness of such information and shall have no liability for the consequences of use of such information.

Right to make changes — NXP Semiconductors reserves the right to make changes to information published in this document, including without limitation specifications and product descriptions, at any time and without notice. This document supersedes and replaces all information supplied prior to the publication hereof.

Suitability for use — NXP Semiconductors products are not designed, authorized or warranted to be suitable for use in medical, military, aircraft, space or life support equipment, nor in applications where failure or

malfunction of an NXP Semiconductors product can reasonably be expected to result in personal injury, death or severe property or environmental damage. NXP Semiconductors accepts no liability for inclusion and/or use of NXP Semiconductors products in such equipment or applications and therefore such inclusion and/or use is at the customer's own risk.

Applications — Applications that are described herein for any of these products are for illustrative purposes only. NXP Semiconductors makes no representation or warranty that such applications will be suitable for the specified use without further testing or modification.

Limiting values — Stress above one or more limiting values (as defined in the Absolute Maximum Ratings System of IEC 60134) may cause permanent damage to the device. Limiting values are stress ratings only and operation of the device at these or any other conditions above those given in the Characteristics sections of this document is not implied. Exposure to limiting values for extended periods may affect device reliability.

Terms and conditions of sale — NXP Semiconductors products are sold subject to the general terms and conditions of commercial sale, as published at <http://www.nxp.com/profile/terms>, including those pertaining to warranty, intellectual property rights infringement and limitation of liability, unless explicitly otherwise agreed to in writing by NXP Semiconductors. In case of any inconsistency or conflict between information in this document and such terms and conditions, the latter will prevail.

No offer to sell or license — Nothing in this document may be interpreted or construed as an offer to sell products that is open for acceptance or the grant, conveyance or implication of any license under any copyrights, patents or other industrial or intellectual property rights.

16.4 Trademarks

Notice: All referenced brands, product names, service names and trademarks are the property of their respective owners.

17. Contact information

For more information, please visit: <http://www.nxp.com>

For sales office addresses, please send an email to: salesaddresses@nxp.com

18. Contents

1 General description 1

2 Features 1

3 Ordering information 2

4 Marking 2

5 Functional diagram 2

6 Pinning information 3

6.1 Pinning 3

6.2 Pin description 3

7 Functional description 3

8 Limiting values 4

9 Recommended operating conditions 4

10 Static characteristics 5

11 Dynamic characteristics 8

12 Waveforms 13

13 Package outline 15

14 Abbreviations 18

15 Revision history 18

16 Legal information 19

16.1 Data sheet status 19

16.2 Definitions 19

16.3 Disclaimers 19

16.4 Trademarks 19

17 Contact information 19

18 Contents 20

Please be aware that important notices concerning this document and the product(s) described herein, have been included in section 'Legal information'.



© NXP B.V. 2008.

All rights reserved.

For more information, please visit: <http://www.nxp.com>

For sales office addresses, please send an email to: salesaddresses@nxp.com

Date of release: 23 May 2008

Document identifier: 74AUP1G374_2